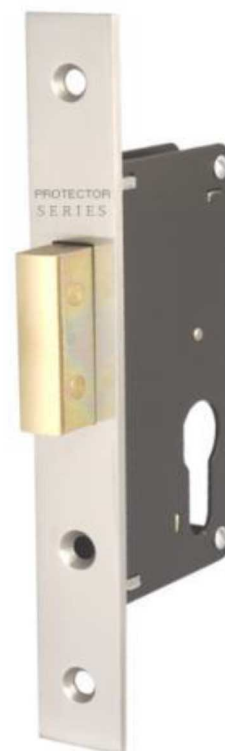
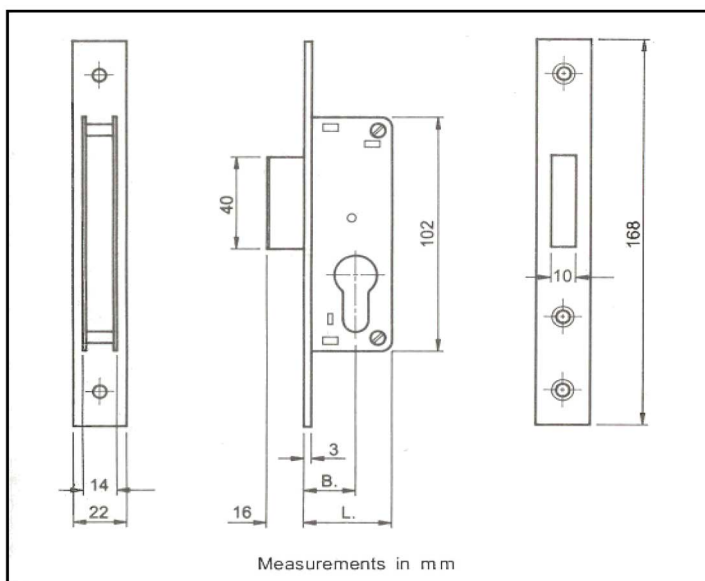


PROTECTOR 721 MORTICE DEADBOLT

- Key operates Deadbolt
- Deadbolt has Brass Head & Steel Lath
- Heavy Duty epoxy powder coated steel case
- Satin Brass Fine & Satin Stainless Fine finishes
- Supplied with All Fitting Screws & Strike Plate



ITEM NO.	FINISH	BACKSET	OVERALL (L)
721-25-SBF	Satin Brass Fine	25 mm	41 mm
721-25-SSF	Satin Stainless Fine	25 mm	41 mm



The full range of Protector Series Cylinders is detailed in this catalogue.



LDH
Lock & Door Hardware Distributors

PROTECTOR
SERIES

736-742 Hampton Street, Brighton 3186.
Telephone: (03) 9592 4333 Fax: (03) 9592 6453 E-mail: Service@LDH.biz