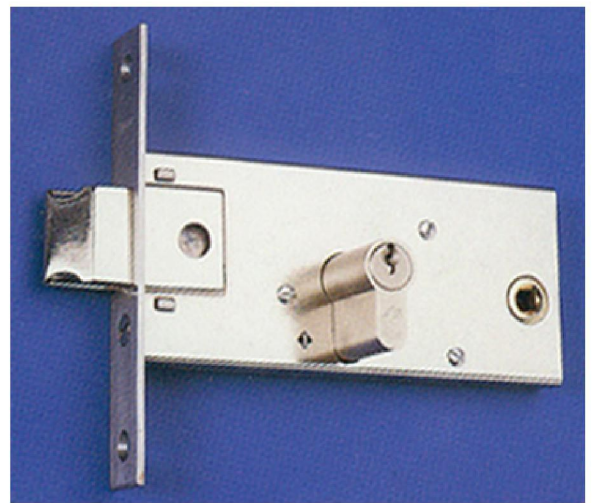
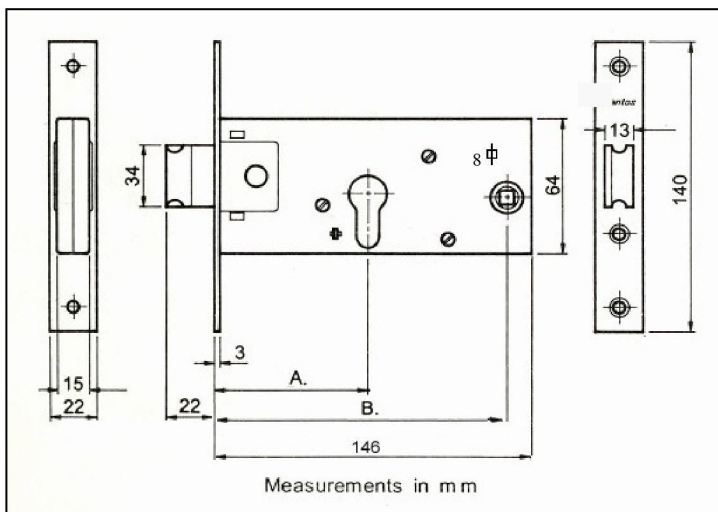


# PROTECTOR 727 HORIZONTAL MORTICE LOCK

- Operated with Euro Profile Cylinder
- Second throw of Latchbolt effectively provides the Deadbolt Function
- Key Retracts Combined Latchbolt / Deadbolt
- When Deadbolted, Combined Latchbolt / Deadbolt Extends 22 mm
- Latch easily reversible without opening case
- Satin Brass Fine & Satin Stainless Fine finishes
- Heavy Duty Epoxy Powder-coated (black) Steel Case
- Supplied with all Fitting Screws & Strike Plate



ITEM NO.	FINISH	CYL BACKSET (A)	SPINDLE B/SET (B)	OVERALL
727-60-SBF	Satin Brass Fine	60 mm	126 mm	146 mm
727-60-SSF	Satin Stainless Fine	60 mm	126 mm	146 mm
727-70-SBF	Satin Brass Fine	70 mm	134 mm	146 mm
727-70-SSF	Satin Stainless Fine	70 mm	134 mm	146 mm

*Order Cylinder Separately*



The full range of Protector Series Cylinders is detailed in this catalogue.



Lock & Door Hardware Distributors

**PROTECTOR**  
SERIES

736-742 Hampton Street, Brighton 3186.  
Telephone: (03) 9592 4333 Fax: (03) 9592 6453 E-mail: Service@LDH.biz